

6 5 4 3 2 1

D

D

C

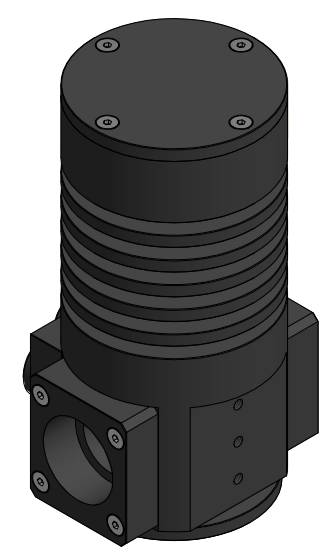
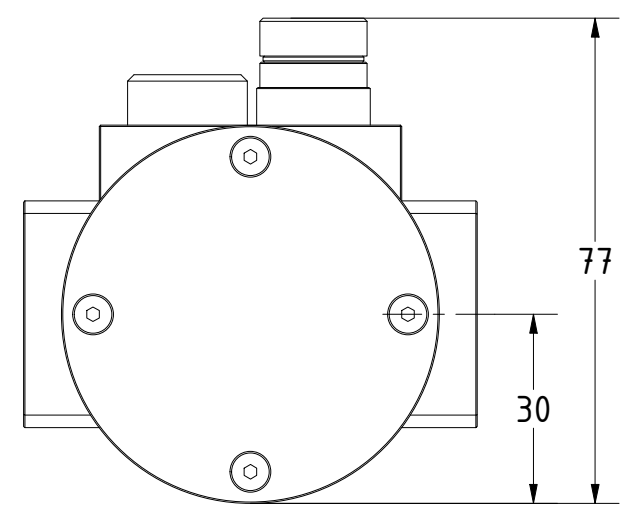
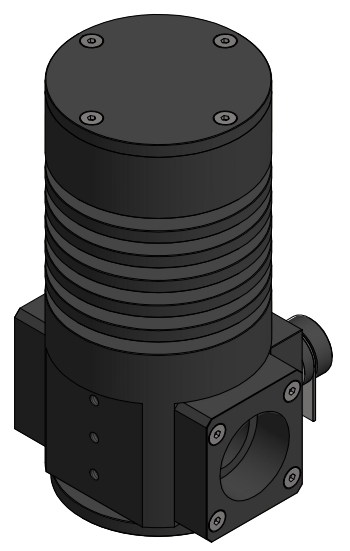
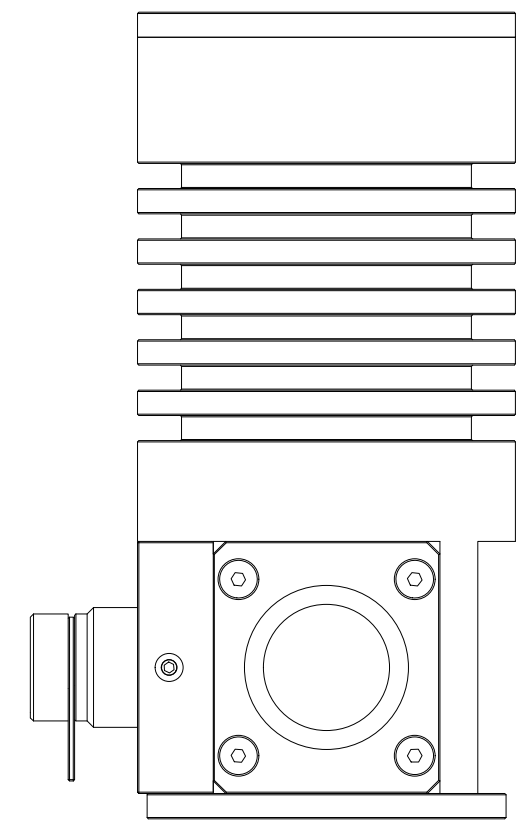
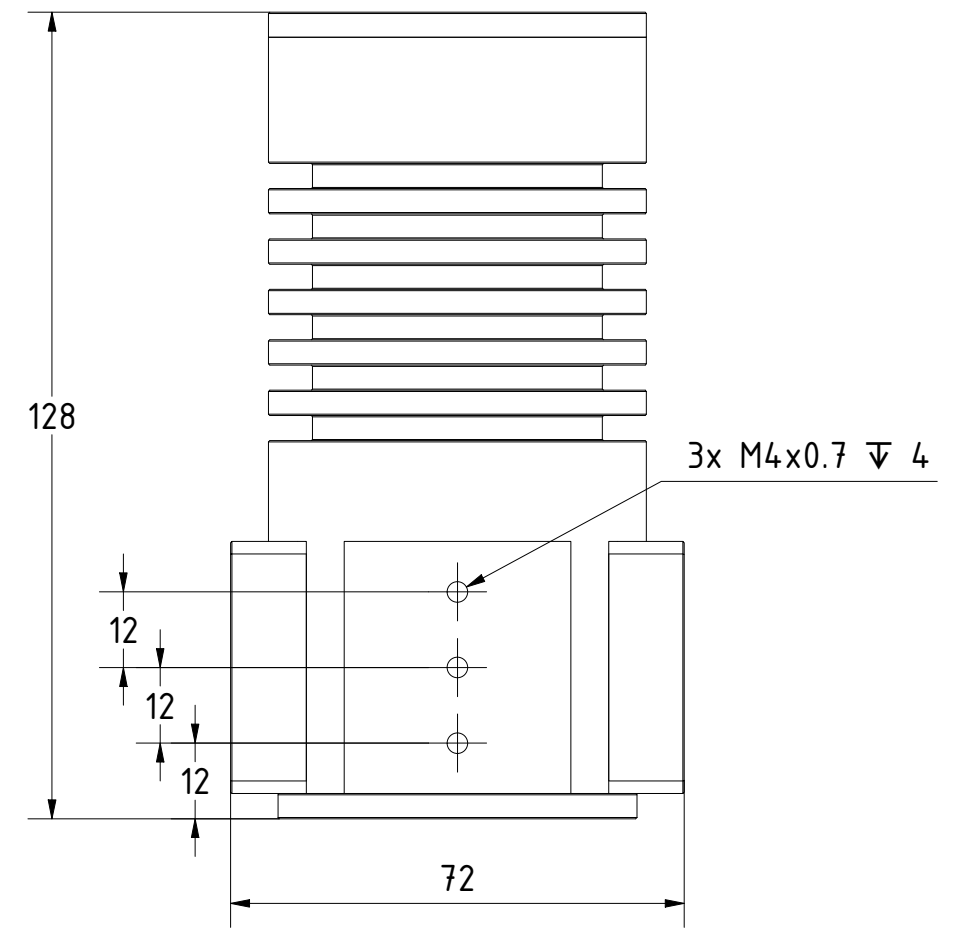
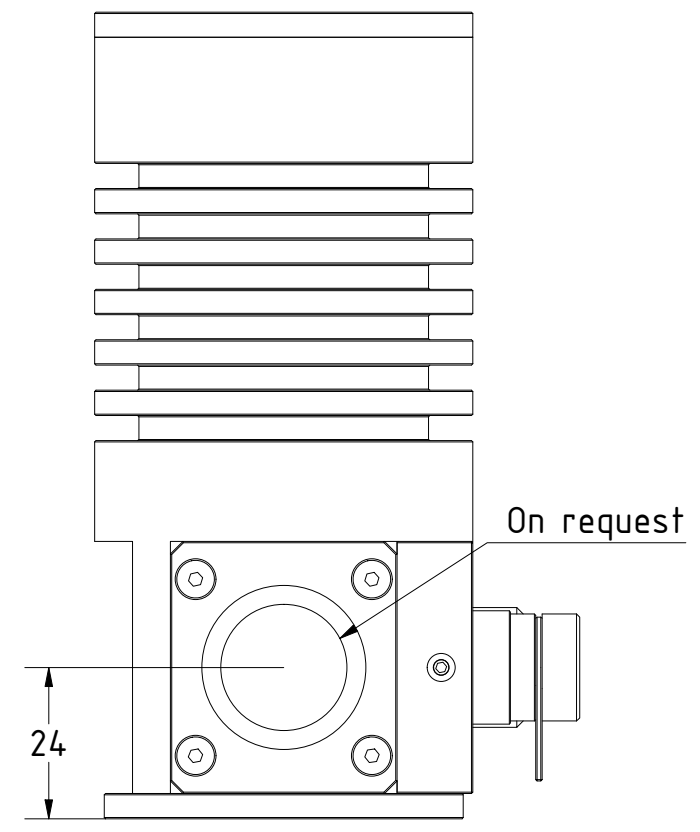
C

B

B

A

A



NOTE: Black anodized aluminium for VIS and NIR

! FOR INFORMATION ONLY **!**
NOT FOR MANUFACTURING PURPOSES

Drawn	Date	Name	First angle projection	Finish:
	2021-10-12	J. Girskis		Anodized aluminium
Optogama UAB Optogama Mokslininku st. 2A, 08412 Vilnius, Lithuania			Title:	Scale:
			Vertical shutter	1 : 1.2
			Part No.	Sheet nr.
			VS	1/1
			A3	

6 5 4 3 2 1